

05/04

Datasheets and connecting plans precision constant current sources type **KOAC(F)\*\***, **KODC(F)\*\*** and **KOACS(F)\*\***, **KODCS(F)\*\***

page 1: types

Special constant current sources for the use with LED-circuits

### conventional type

#### Precision constant current source AC – Connection: Screw terminals with wire-protection

Without flange	With flange	Output mA	Input V AC
Art. Nr.:	Art. Nr.:		
KOAC20	KOACF20	20 mA	6-24V*
KOAC30	KOACF30	30 mA	6-24V*
KOAC40	KOACF40	40 mA	6-24V*
KOAC50	KOACF50	50 mA	6-24V*
KOAC60	KOACF60	60 mA	6-24V*
KOAC70	KOACF70	70 mA	6-24V*
KOAC02	KOACF02	2 mA	6-24V*

#### Precision constant current source DC – Connection: Screw terminals with wire-protection

Without flange	With flange	Output mA	Input V AC
Art. Nr.:	Art. Nr.:		
KODC20	KODCF20	20 mA	5-40V*
KODC30	KODCF30	30 mA	5-40V*
KODC40	KODCF40	40 mA	5-40V*
KODC50	KODCF50	50 mA	5-40V*
KODC60	KODCF60	60 mA	5-40V*
KODC70	KODCF70	70 mA	5-40V*
KODC02	KODCF02	2 mA	5-40V*

### SMD

#### Precision constant current source AC SMD – Connection: soldering

Without flange	With flange	Output mA	Input V AC
Art. Nr.:	Art. Nr.:		
KOACS20	KOACSF20	20 mA	6-24V*
KOACS30	KOACSF30	30 mA	6-24V*
KOACS40	KOACSF40	40 mA	6-24V*
KOACS50	KOACSF50	50 mA	6-24V*
KOACS60	KOACSF60	60 mA	6-24V*
KOACS70	KOACSF70	70 mA	6-24V*
KOACS02	KOACSF02	2 mA	6-24V*

#### Precision constant current source DC SMD – Connection: soldering

Without flange	With flange	Output mA	Input V AC
Art. Nr.:	Art. Nr.:		
KODCS20	KODCSF20	20 mA	5-40V*
KODCS30	KODCSF30	30 mA	5-40V*
KODCS40	KODCSF40	40 mA	5-40V*
KODCS50	KODCSF50	50 mA	5-40V*
KODCS60	KODCSF60	60 mA	5-40V*
KODCS70	KODCSF70	70 mA	5-40V*
Special version for Low Current LEDs with 2 mA			
KODCS02	KODCSF02	2 mA	5-40V*

\*depending on load:  $P_v$  (regulator) < 600mW  $(U_E - U_A) \times I_A = P_v$   $((U_{INPUT} - U_{OUTPUT}) \times I_{OUTPUT} = P_{DISSIPATION})$

05/04

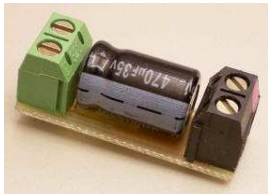
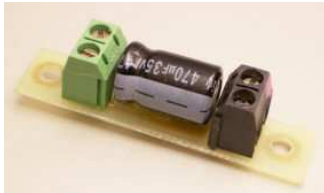
Datasheets and connecting plans precision constant current sources type **KOAC(F)\*\***, **KODC(F)\*\*** and **KOACS(F)\*\***, **KODCS(F)\*\***

page 2: dimensions, data and connections KOACF\*\* KOAC\*\*

**Special constant current sources for the use with LED-circuits**

### KOACF\*\* all types

dimensions: 12mm (B) x 14mm (H) x 50mm (L) with flanges  
weight: ca. 7 gram



### KOAC\*\* all types

same construction, but without flanges  
dimensions: 12mm (B) x 14mm (H) x 35mm (L)  
weight: ca. 6,5 gram

### KOACF\*\*, KOAC\*\*

constant current sources for alternating current from 6V to 24 V max., depending on load. \*  
Connecting with screw-terminals with wire protection.

#### Thermal protection.

Precision through integrated Circuit  
Tolerance < 3% over the complete voltage range.

For **KOACF20**, **KOAC20** only:

**Output standard:** 20 mA DC

**Input standard:** 6-24V AC \*

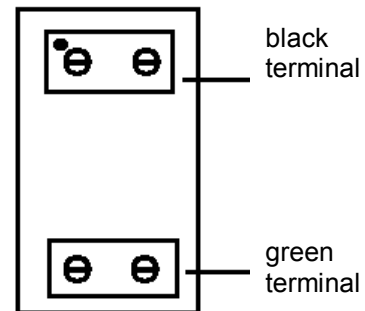
**additional programmable in the standard-version:**

30 mA, 40 mA, 60 mA,

Programming with solder-bridges.

A detailed description is included.

Red dot  
+ output - output



Input: Alternating current

connecting plan KOAC\*\* KOACF\*\* terminals viewed from top.

Every constant current source is electronically tested.

### All further types are programmed as described:

Without flange	With flange	Output mA	Input V AC
Art. Nr.:	Art. Nr.:		
KOAC30	KOACF30	30 mA	6-24V*
KOAC40	KOACF40	40 mA	6-24V*
KOAC50	KOACF50	50 mA	6-24V*
KOAC60	KOACF60	60 mA	6-24V*
KOAC70	KOACF70	70 mA	6-24V*
Special version for Low Current LEDs with 2 mA			
KOAC02	KOACF02	2 mA	6-24V*

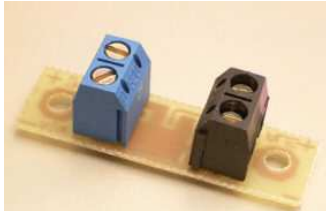
05/04

Datasheets and connecting plans precision constant current sources type **KOAC(F)\*\***, **KODC(F)\*\*** and **KOACS(F)\*\***, **KODCS(F)\*\***

page 3: dimensions, data and connecting **KODCF\*\*** **KODC\*\***

**Special constant current sources for the use with LED-circuits**

### KODCF\*\* all types

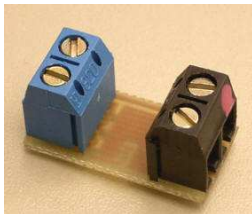


Dimensions:

12mm (B) x 14mm (H) x 50mm (L) with flanges

weight: ca. 4,5 gram

### KODC\*\* all types



same construction, but without flanges

Dimensions:

12mm (B) x 14mm (H) x 35mm (L)

weight: ca. 4 gram

### KODCF\*\*, KODC\*\*

Constant current sources for direct current (DC) from 5V to 40 V depending on load.

Connection by screw-terminals

**Thermal protection**

**Protection against confusion of the poles up to 40 Volts**

Precision through integrated Circuit

Tolerance < 3% over the complete voltage range.

For **KODCF20**, **KODC20** only:

**Output standard:** 20 mA DC

**Input standard:** 6-40V DC \*

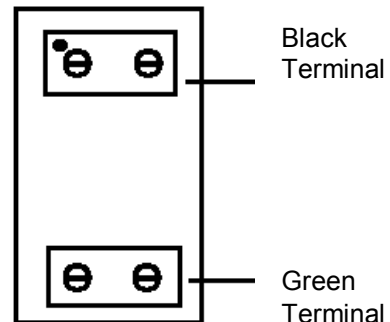
**additional programmable in the standard-version:**

30 mA, 40 mA, 60 mA,

Programming with solder-bridges.

A detailed description is included.

Red dot  
+ Output -Output



+ Input -Input

Connecting plan KODC\*\* KODCF\*\*  
Terminals viewed from top.

Every constant current source is electronically tested.

### All further types are programmed as described:

Without flange	With flange	Ausgang mA	Eingang V DC
Art. Nr.: <b>KODC30</b>	Art. Nr.: <b>KODCF30</b>	<b>30 mA</b>	<b>5-40V*</b>
<b>KODC40</b>	<b>KODCF40</b>	<b>40 mA</b>	<b>5-40V*</b>
<b>KODC50</b>	<b>KODCF50</b>	<b>50 mA</b>	<b>5-40V*</b>
<b>KODC60</b>	<b>KODCF60</b>	<b>60 mA</b>	<b>5-40V*</b>
<b>KODC70</b>	<b>KODCF70</b>	<b>70 mA</b>	<b>5-40V*</b>
Special version for Low Current LEDs with 2 mA			
<b>KODC02</b>	<b>KODCF02</b>	<b>2 mA</b>	<b>5-40V*</b>

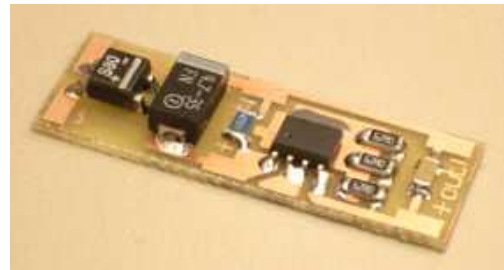
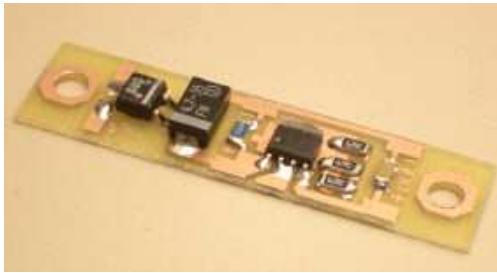
05/04

Datasheets and connecting plans precision constant current sources type **KOAC(F)\*\***, **KODC(F)\*\*** and **KOACS(F)\*\***, **KODCS(F)\*\***  
 page 4: Dimensions, data and connecting KOACS\*\* KOACSF\*\*

**Special constant current sources for the use with LED-circuits**

**KOACSF\*\* all types**

**KOACS\*\* all types**



**Dimensions:**  
 12mm (B) x 4mm (H) x 49mm (L)  
 weight: ca. 2 gram

**Dimensions:**  
 12mm (B) x 4mm (H) x 35mm (L)  
 weight: ca. 1,5 gram

SMD- constant current source for alternating current (AC)  
 from 6V to 24 V max., depending on load. \*  
 Connection by soldering.

**Thermal protection.**

Precision through integrated Circuit  
 Tolerance < 3% over the complete voltage range.

**For KOACSF20, KOACS20 only:**

**Output standard:** 20 mA DC

**Input standard:** 6-24V AC \*

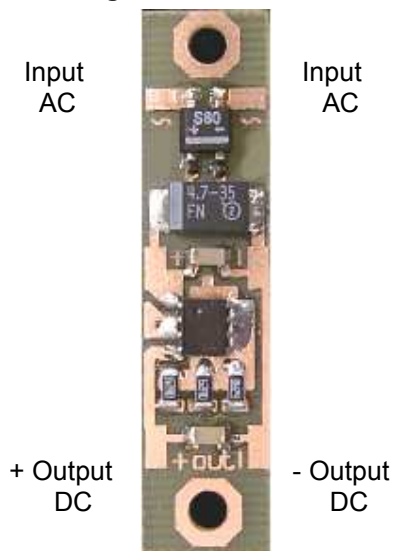
**additional programmable in the standard-version:**

30 mA, 40 mA, 60 mA,

Programming with solder-bridges.

A detailed description is included.

Every constant current source is electronically tested.



**connecting plan KOACS\*\* KOACSF\*\***  
 connecting by soldering

**All further types are programmed as described:**

Without flange	With flange	Ausgang mA	Eingang V AC
Art. Nr.:	Art. Nr.:		
KOACS30	KOACSF30	30 mA	6-24V*
KOACS40	KOACSF40	40 mA	6-24V*
KOACS50	KOACSF50	50 mA	6-24V*
KOACS60	KOACSF60	60 mA	6-24V*
KOACS70	KOACSF70	70 mA	6-24V*
Special version for Low Current LEDs with 2 mA			
KOACS02	KOACSF02	2 mA	6-24V*

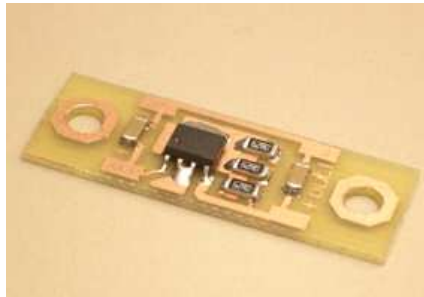
05/04

Datasheets and connecting plans precision constant current sources type **KOAC(F)\*\***, **KODC(F)\*\*** and **KOACS(F)\*\***, **KODCS(F)\*\***

page 5: Dimensions, data and connecting KODCS\*\* KODCSF\*\*

Special constant current sources for the use with LED-circuits

### KODCSF\*\* all Types



**Dimensions:**  
12mm (B) x 2,5mm (H) x 49mm (L)  
weight: ca. 1 gram

SMD- constant current source for direct current (DC)  
from 6V to 40 V max., depending on load. \*  
Connection by soldering.

#### Thermal protection

**Protection against confusion of the poles up to 40 Volts**

Precision through integrated circuit  
Tolerance < 3% over the complete voltage range.

For **KODCSF20**, **KODCS20** only:

**Output standard:** 20 mA DC

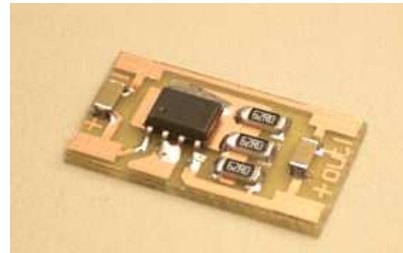
**Input standard:** 5-40V DC \*

**additional programmable in the standard-version:**

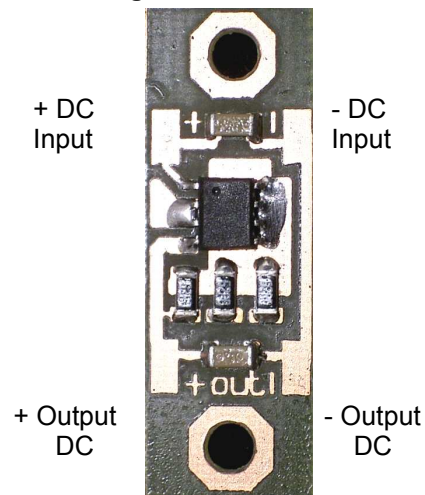
30 mA, 40 mA, 60 mA,  
Programming with solder-bridges.  
A detailed description is included.

Every constant current source is  
electronically tested.

### KODCS\*\* all types



**Dimensions:**  
12mm (B) x 2,5mm (H) x 35mm (L)  
weight: ca. 0,5 gram



**connecting plan KODCS\*\* KODCSF\*\***  
connecting by soldering .

### All further types are programmed as described:

Without flange	With flange	Output mA	Input V DC
Art. Nr.: KODCS30	Art. Nr.: KODCSF30	30 mA	5-40V*
KODCS40	KODCSF40	40 mA	5-40V*
KODCS50	KODCSF50	50 mA	5-40V*
KODCS60	KODCSF60	60 mA	5-40V*
KODCS70	KODCSF70	70 mA	5-40V*
Special version for Low Current LEDs with 2 mA			
KODCS02	KODCSF02	2 mA	5-40V*

date: 05/04- alterations preserved.

A1W® is a registered trademark of telefix elektronik wolf westerburg GmbH  
Homepage: <http://www.A1W.de> E-Mail: [info@A1W.de](mailto:info@A1W.de)